

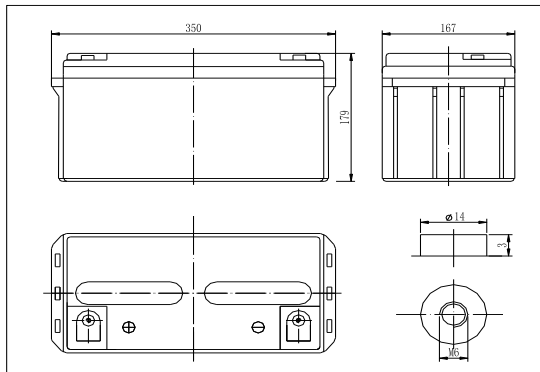
RPower VDS12-65,0 (12V 65Ah AGM Battery)

VdS No. G117049

EAN: 4260349822688

Floating Life at 20°C designed for up to 6 years

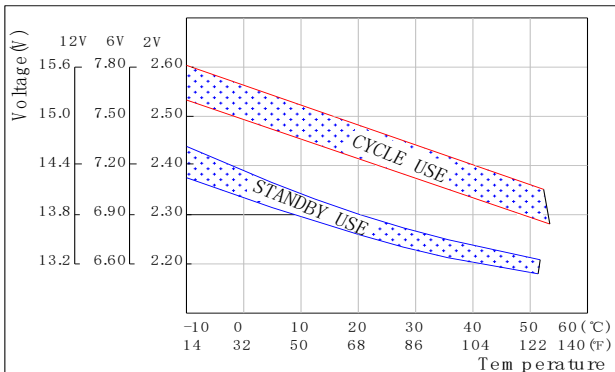
Dimensions



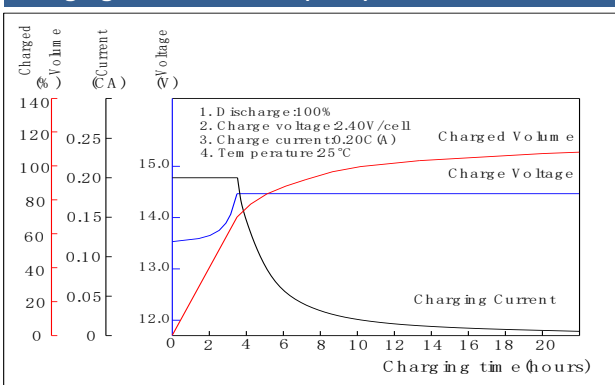
Specifications

Nominal Voltage		12V
Capacity (20hr@25°C)		65Ah
Dimensions (±2mm)	Length	350mm (13.8inch)
	Width	167mm (6.57inch)
	Height	179mm (7.05inch)
	Total Height	179mm (7.05inch)
Approx. Weight		22.00kg (48.50lbs)
Maximum charging current		19.5A
Maximum discharge current		650A (5sec.)
Internal resistance		Approx. 6mΩ
Capacity affected by temperature (20hr)	40°C	102%
	25°C	100%
	0°C	85%
	-15°C	65%
Self-discharge (25°C)	3 month	Remaining Capacity: 91%
	6 month	Remaining Capacity: 82%
	12 month	Remaining Capacity: 65%
Nominal operating temperature		25°C ±3°C (77°F±5°F)
Operating temperature range		-20°C~50°C (-4°F~122°F)
Float charging voltage (25°C)		13.65 to 13.80V
Cyclic charging voltage (25°C)		14.40 to 15.00V
Terminal material		Copper

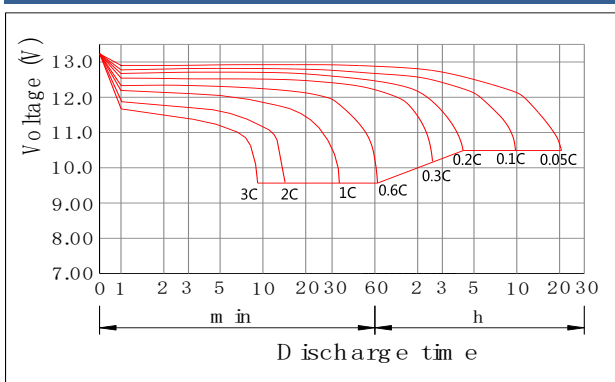
The Relationship for Charging Voltage and Temperature



Charging Characteristics (25°C)



Discharge Characteristics (25°C)



Constant Current Discharge Characteristics (Ampere / Battery, 25°C)

FV / TIME	5min	10min	15min	30min	1h	3h	5h	10h	20h
10.80V	183,00	128,00	100,00	61,10	37,40	16,20	11,30	6,50	3,40
10.20V	195,00	136,00	106,00	64,30	39,40	16,50	11,50	6,60	3,45
9.60V	205,00	143,00	110,00	67,00	41,00	16,70	11,70	6,65	3,45

Constant Power Discharge Characteristics (Watt / Battery, 25°C)

FV / TIME	5min	10min	15min	30min	1h	3h	5h	10h	20h
10.80V	1922,00	1379,00	1102,00	686,00	426,00	191,00	134,00	77,60	40,80
10.20V	2045,00	1467,00	1159,00	722,00	449,00	194,00	136,00	78,80	41,40
9.60V	2153,00	1544,00	1208,00	752,00	467,00	196,00	138,00	79,40	41,40