

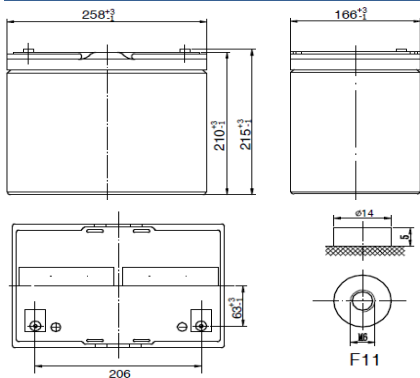
# RPower OGiV122500HP (12V 75Ah AGM High-Power-Battery)

with UL94 V-0 Housing

EAN: 4260349823647

Floating Life at 20°C designed for up to 12 years

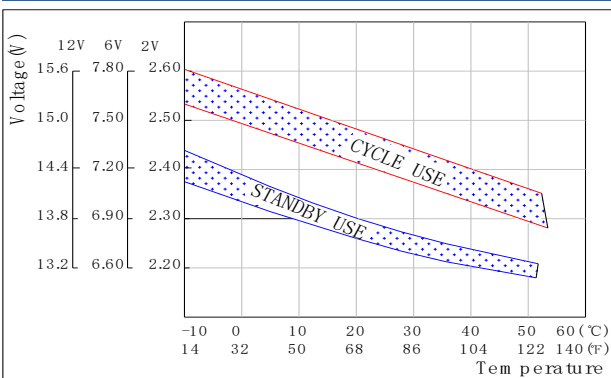
## Dimensions



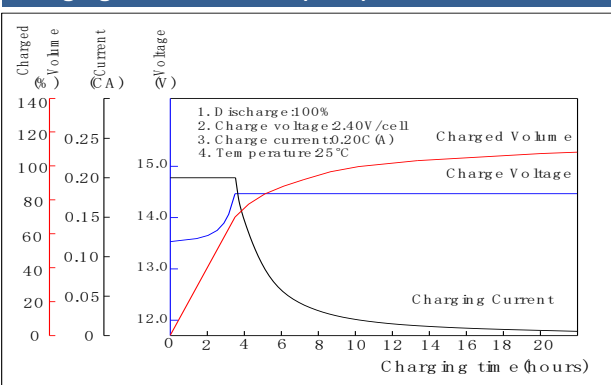
## Specifications

Nominal Voltage		12V
Capacity (10hr@25°C@1.80V/C)		75Ah
Dimensions	Length	258mm (10.2inch)
	Width	166mm (6.54inch)
	Height	210mm (8.27inch)
	Total Height	215mm (8.46inch)
Approx. Weight		24.50kg (54.01lbs)
Maximum charging current		22.5A
Maximum discharge current		700A (5sec.)
Internal resistance		Approx. 5mΩ
Capacity affected by temperature (20hr)	40°C	103%
	25°C	100%
	0°C	86%
	-15°C	65%
Self-discharge (25°C)	3 month	Remaining Capacity: 91%
	6 month	Remaining Capacity: 82%
	12 month	Remaining Capacity: 65%
Nominal operating temperature		25°C ±3°C (77°F±5°F)
Operating temperature range		-20°C~55°C (-4°F~131°F)
Float charging voltage (25°C)		13.65 to 13.80V
Cyclic charging voltage (25°C)		14.40 to 15.00V
Terminal material		Copper

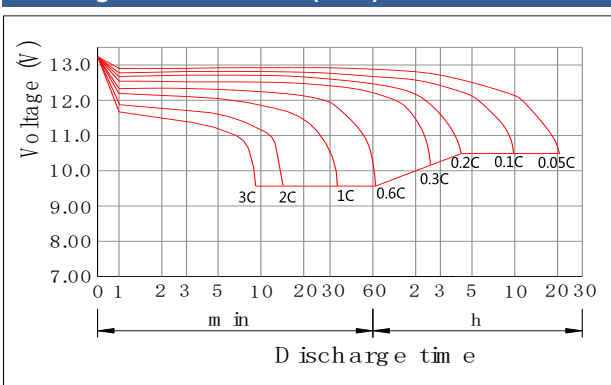
## The Relationship for Charging Voltage and Temperature



## Charging Characteristics (25°C)



## Discharge Characteristics (25°C)



## Constant Current Discharge Characteristics (Ampere / Battery, 25°C)

FV / TIME	5min	10min	15min	20min	30min	45min	1h	2h	3h	4h	5h	6h	8h	10h	20h
10.98V	219,74	171,34	139,39	118,10	90,80	67,86	53,34	31,04	23,63	18,67	15,64	13,56	10,88	7,21	3,82
10.80V	227,00	177,00	144,00	122,00	93,80	70,10	55,10	32,12	24,46	19,34	16,20	14,03	11,30	7,50	4,00
10.50V	259,00	192,00	154,00	129,00	100,00	75,30	59,20	34,57	26,34	20,84	17,46	15,16	12,20	8,09	4,34
10.20V	292,00	210,00	164,00	136,00	105,00	78,30	61,10	35,74	27,25	21,57	18,09	15,70	12,65	8,40	4,50
10.02V	310,00	219,00	170,00	141,00	108,00	80,20	63,40	37,15	28,34	22,44	18,83	16,36	13,18	8,76	4,70
9.60V	320,00	237,00	183,00	150,00	113,00	83,60	65,80	38,62	29,48	23,36	19,61	17,04	13,75	9,15	4,93

## Constant Power Discharge Characteristics (Watt / Battery, 25°C)

FV / TIME	5min	10min	15min	20min	30min	45min	1h	2h	3h	4h	5h	6h	8h	10h	20h
10.98V	2474,21	1916,64	1585,58	1353,26	1039,63	784,08	615,65	345,99	258,48	209,32	179,15	154,53	121,28	83,66	43,75
10.80V	2556,00	1980,00	1638,00	1398,00	1074,00	810,00	636,00	358,07	267,76	216,88	185,71	160,27	125,81	86,93	45,66
10.50V	2874,00	2148,00	1728,00	1458,00	1122,00	858,00	660,00	372,24	279,18	225,72	193,38	166,98	131,34	90,50	47,70
10.20V	3168,00	2310,00	1806,00	1518,00	1164,00	870,00	678,00	383,07	287,47	232,55	199,33	172,15	135,60	94,32	49,73
10.02V	3336,00	2382,00	1920,00	1554,00	1182,00	882,00	696,00	393,94	295,80	239,42	205,32	177,48	139,90	97,76	51,62
9.60V	3684,00	2532,00	1962,00	1620,00	1218,00	900,00	708,00	401,44	301,61	244,26	209,57	181,25	143,02	100,64	53,07