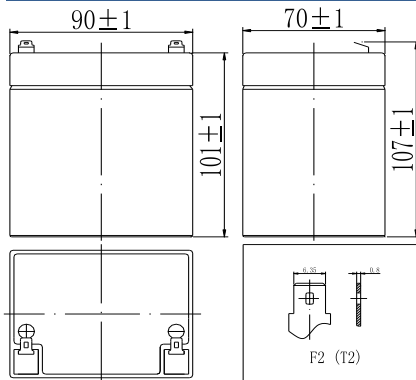


RPower OGiV1252LP (12V 5.2Ah AGM Battery)

Floating Life at 20°C designed for up to 12 years

EAN: 4260349823524

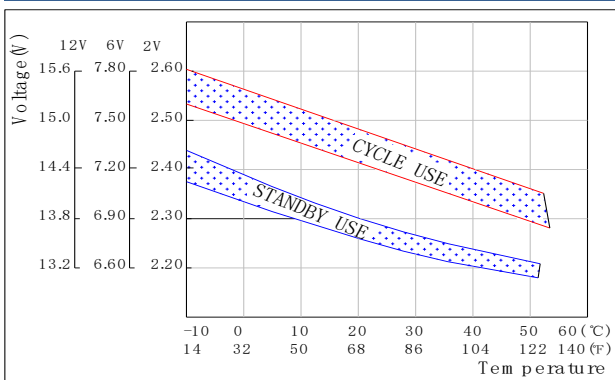
Dimensions



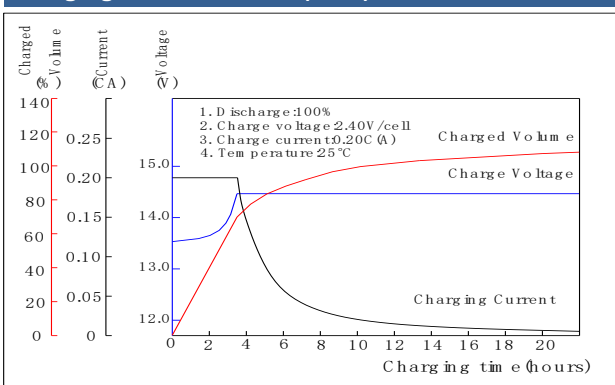
Specifications

Nominal Voltage		12V
Capacity (20hr@25°C@1.80V/C)		5.2Ah
Dimensions (±2mm)	Length	90mm (3.54inch)
	Width	70mm (2.76inch)
	Height	101mm (3.98inch)
	Total Height	107mm (4.21inch)
Approx. Weight		1.95kg (4.30lbs)
Maximum charging current		1.56A
Maximum discharge current		75A (5sec.)
Internal resistance		Approx. 26mΩ
Capacity affected by temperature (20hr)	40°C	103%
	25°C	100%
	0°C	86%
	-15°C	65%
Self-discharge (25°C)	3 month	Remaining Capacity: 91%
	6 month	Remaining Capacity: 82%
	12 month	Remaining Capacity: 65%
Nominal operating temperature		25°C ±3°C (77°F±5°F)
Operating temperature range		-20°C~55°C (-4°F~131°F)
Float charging voltage (25°C)		13.65 to 13.80V
Cyclic charging voltage (25°C)		14.40 to 15.00V
Terminal material		Copper

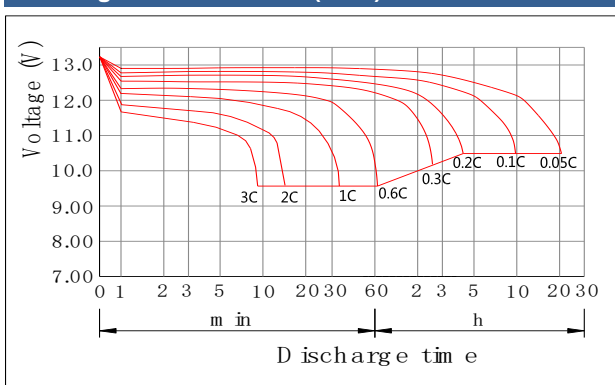
The Relationship for Charging Voltage and Temperature



Charging Characteristics (25°C)



Discharge Characteristics (25°C)



Constant Current Discharge Characteristics (Ampere / Battery, 25°C)

FV / TIME	5min	10min	15min	20min	30min	45min	1h	2h	3h	4h	5h	6h	8h	10h	20h
10.98V	23,70	15,00	12,30	8,20	6,82	4,39	3,95	2,02	1,36	1,11	0,99	0,81	0,61	0,49	0,25
10.80V	24,10	15,30	12,50	8,60	6,88	4,52	3,99	2,08	1,40	1,14	1,00	0,82	0,62	0,50	0,26
10.50V	24,70	15,60	12,70	9,00	6,92	4,65	4,03	2,14	1,44	1,17	1,01	0,83	0,63	0,51	0,26
10.20V	25,00	15,90	12,80	9,40	7,06	4,79	4,07	2,19	1,48	1,20	1,02	0,85	0,64	0,52	0,27
9.90V	25,30	16,00	12,90	9,80	7,20	4,92	4,11	2,25	1,51	1,22	1,03	0,86	0,64	0,52	0,27
9.60V	25,50	16,10	13,10	10,20	7,51	5,05	4,14	2,30	1,55	1,25	1,03	0,87	0,65	0,52	0,27

Constant Power Discharge Characteristics (Watt / Battery, 25°C)

FV / TIME	5min	10min	15min	20min	30min	45min	1h	2h	3h	4h	5h	6h	8h	10h	20h
10.98V	280,80	180,00	144,00	93,00	82,80	57,60	47,40	23,28	18,60	13,44	11,70	9,48	7,08	5,88	2,88
10.80V	285,60	183,60	146,40	97,80	84,00	59,40	48,00	24,00	19,20	13,80	11,82	9,60	7,20	6,00	3,00
10.50V	290,40	192,00	148,20	101,40	84,00	60,00	48,30	24,60	19,44	13,80	11,88	10,20	7,20	6,00	3,00
10.20V	294,60	193,20	149,40	105,00	84,60	60,60	48,60	25,20	19,56	14,40	11,94	10,20	7,80	6,00	3,06
9.90V	298,80	195,60	150,60	108,00	85,20	61,20	48,84	25,80	19,62	14,40	11,94	10,20	7,80	6,00	3,12
9.60V	301,80	197,40	151,80	111,60	85,80	61,20	49,20	26,40	19,68	15,00	12,00	10,20	7,80	6,60	3,60